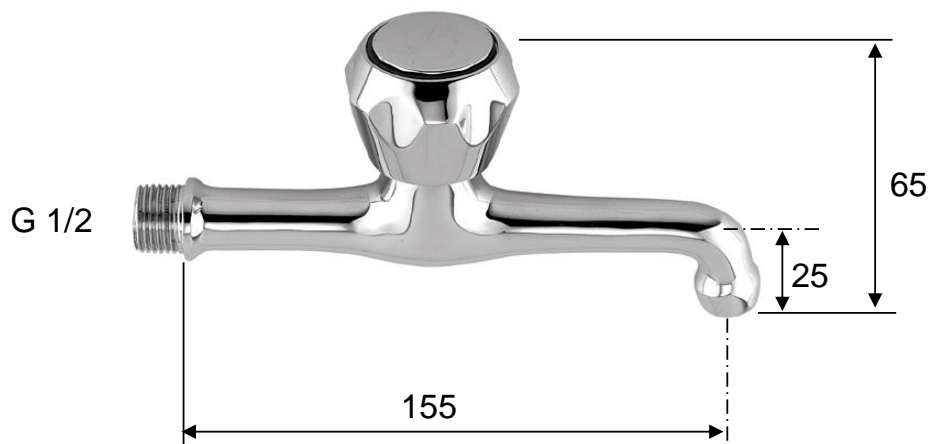


SCHEDA TECNICA TECHNICAL FEATURES

Art. 320M5010



MATERIAL / MATERIALS

OTTONE CROMATO / CHROME PLATED BRASS

CROMATURA / CHROME PLATING

UNI EN 248