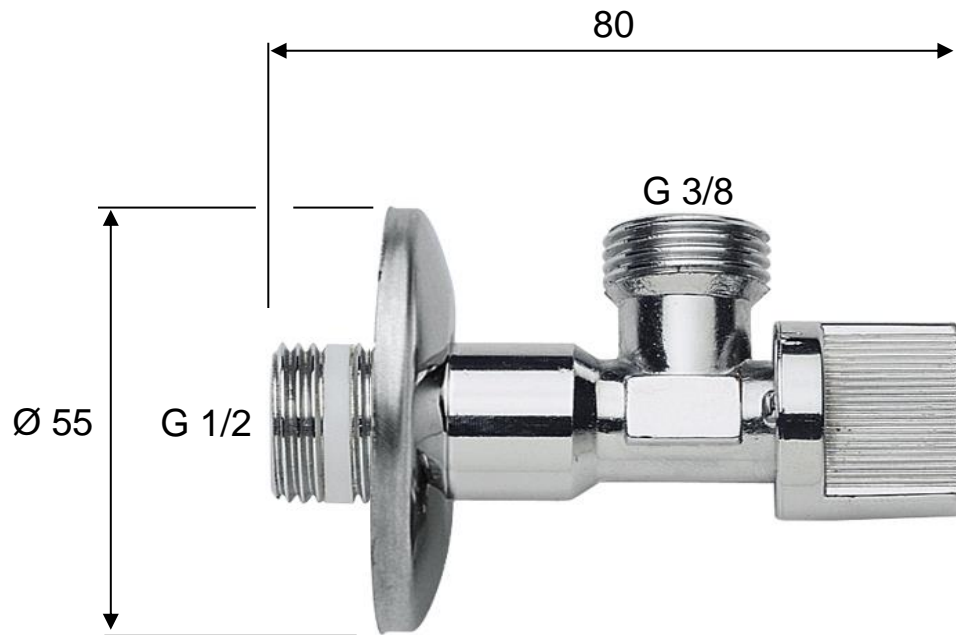


SCHEMA TECNICA TECHNICAL FEATURES

Art. 3200B



Rubinetto a sfera con guarnizione in PTFE
C.P. brass ball valve with PTFE washer

P. MAX = 15bar

Minimum and maximum working temperatures: -20°C, 80°C

MATERIALI / MATERIALS

OTTONE CROMATO / CHROME PLATED BRASS

CROMATURA / CHROME PLATING

UNI EN 248