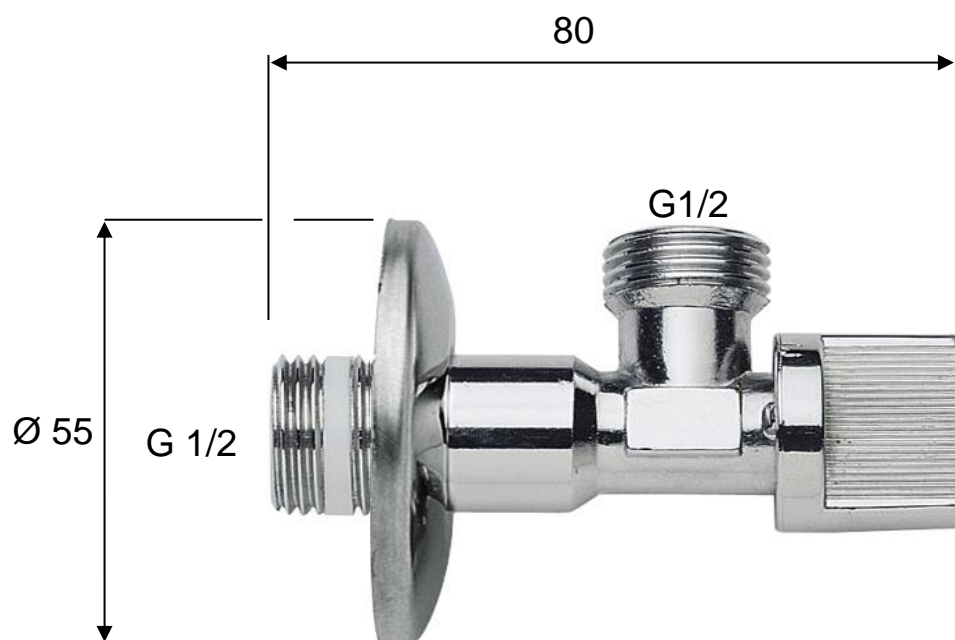


SCHEMA TECNICA TECHNICAL FEATURES

Art. 3200C



Rubinetto a sfera con guarnizione in PTFE
C.P. brass ball valve with PTFE washer

MATERIALI / MATERIALS

OTTONE CROMATO / CHROME PLATED BRASS

CROMATURA / CHROME PLATING

UNI EN 248