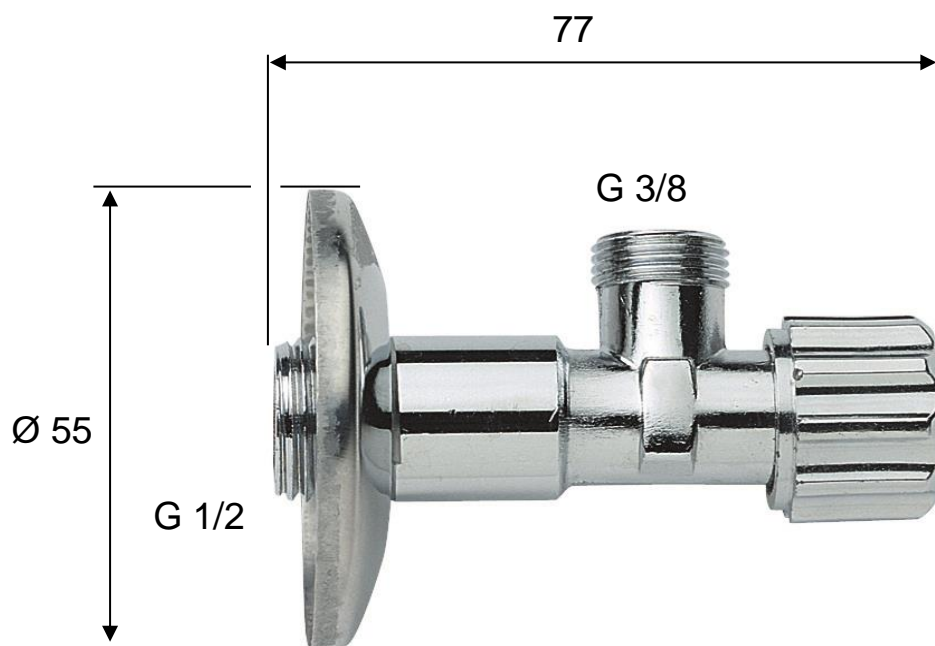


# SCHEMA TECNICA TECHNICAL FEATURES

Art. 3212



P. MAX = 15bar

Minimum and maximum working temperatures: -20°C, 80°C

## **MATERIALI / MATERIALS**

OTTONE CROMATO / CHROME PLATED BRASS CW617N UNI EN 12165

## **CROMATURA / CHROME PLATING**

UNI EN 248