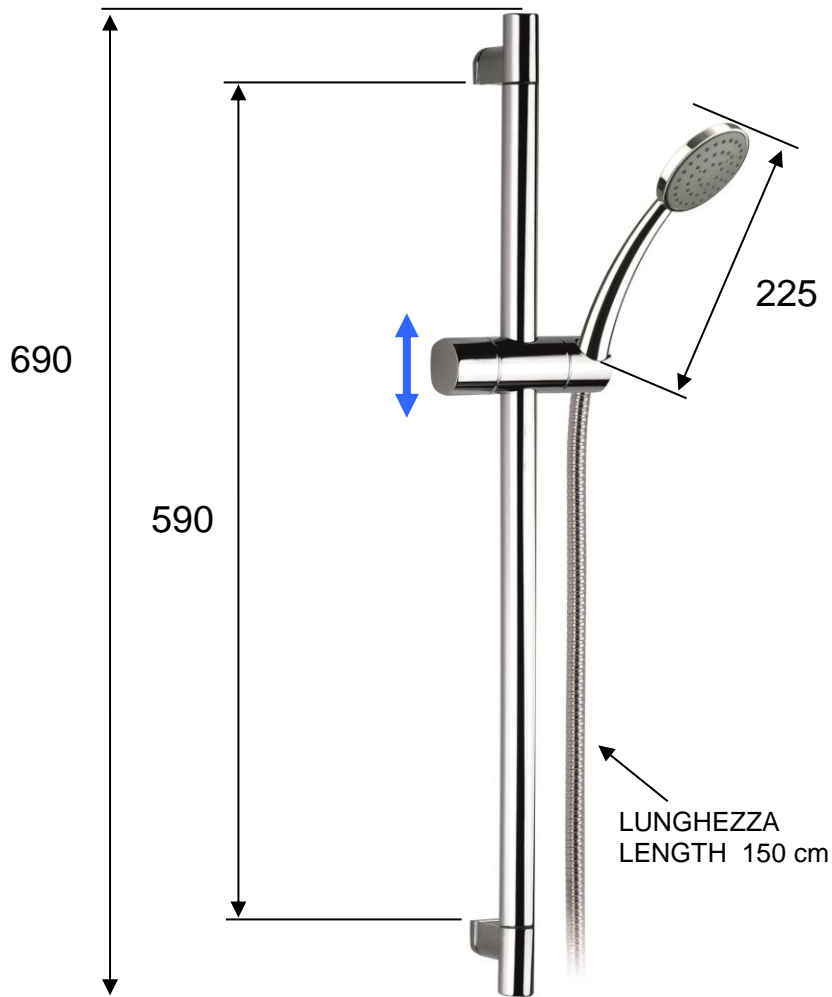


# SCHEMA TECNICA TECHNICAL FEATURES

Art. AST8004073



## **MATERIALI / MATERIALS**

OTTONE CROMATO / CHROME PLATED BRASS  
ABS CROMATO / CHROME PLATED ABS

## **CROMATURA / CHROME PLATING**

UNI EN 248