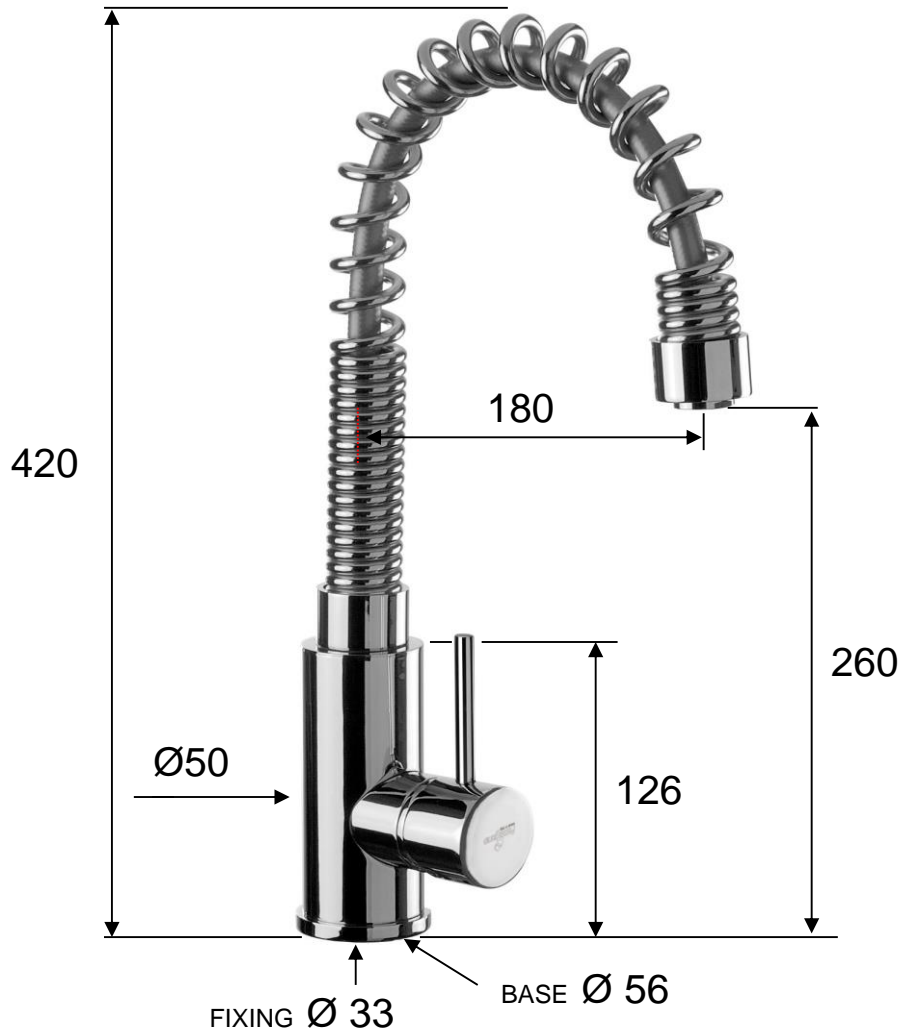


# SCHEMA TECNICA TECHNICAL FEATURES

Art. K5510



PRESSIONE / PRESSURE	1	2	3	4	5	bar
PORTATA / FLOW RATE	8	10	12	13	14	l/min

## MATERIALI / MATERIALS

OTTONE CROMATO / CHROME PLATED BRASS

CROMATURA / CHROME PLATING

UNI EN 248