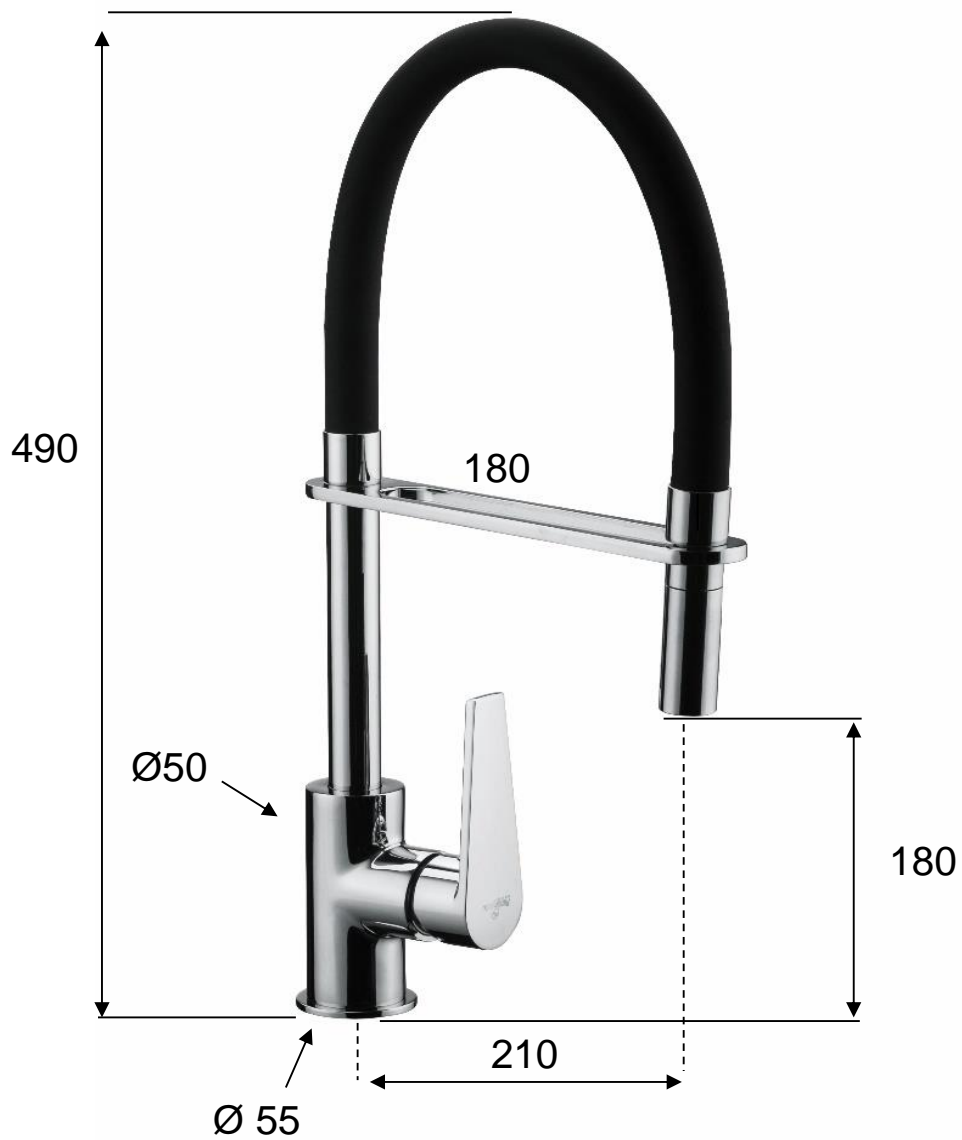


# SCHEMA TECNICA TECHNICAL FEATURES

Art. K5550



## MATERIALI / MATERIALS

OTTONE CROMATO / CHROME PLATED BRASS

CROMATURA / CHROME PLATING

UNI EN 248