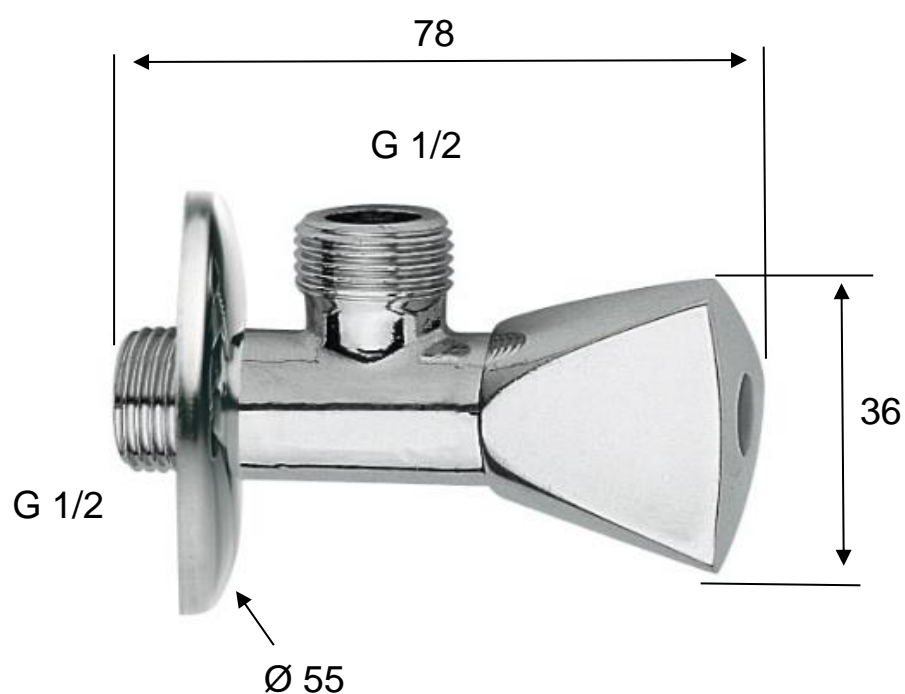


# SCHEDA TECNICA TECHNICAL FEATURES

Art. 32120L



## MATERIALI / MATERIALS

OTTONE CROMATO / CHROME PLATED BRASS CW617N UNI EN 12165

## CROMATURA / CHROME PLATING

UNI EN 248