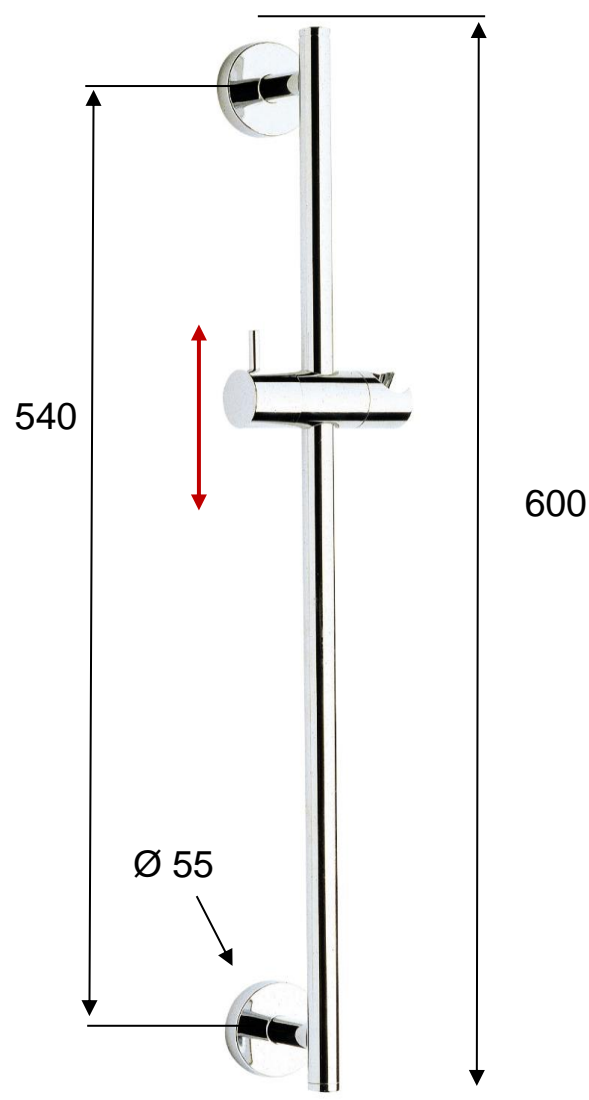


# SCHEMA TECNICA TECHNICAL FEATURES

Art. AST400



## MATERIALI / MATERIALS

OTTONE CROMATO / CHROME PLATED BRASS  
ABS CROMATO / CHROME PLATED ABS

## CROMATURA / CHROME PLATING

UNI EN 248