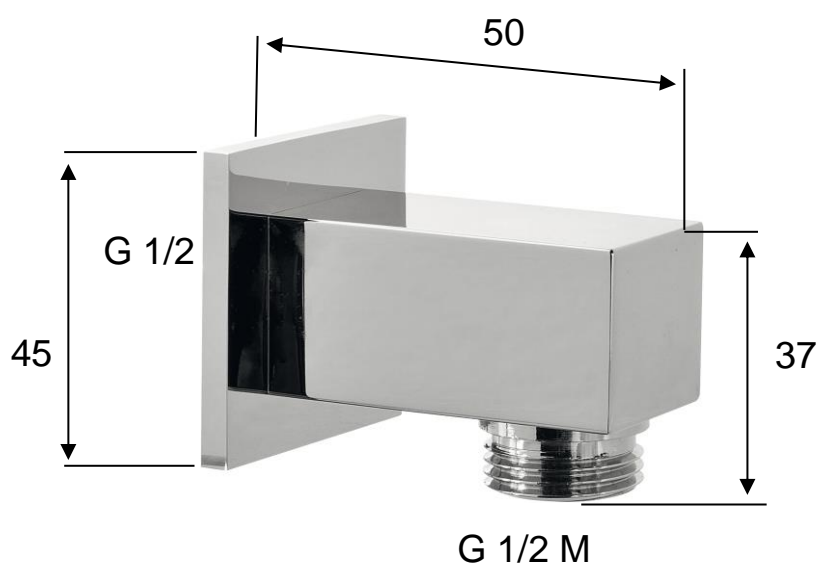


SCHEMA TECNICA TECHNICAL FEATURES

Art. 2493Q



MATERIALI / MATERIALS

OTTONE CROMATO / CHROME PLATED BRASS

CROMATURA / CHROME PLATING

UNI EN 248