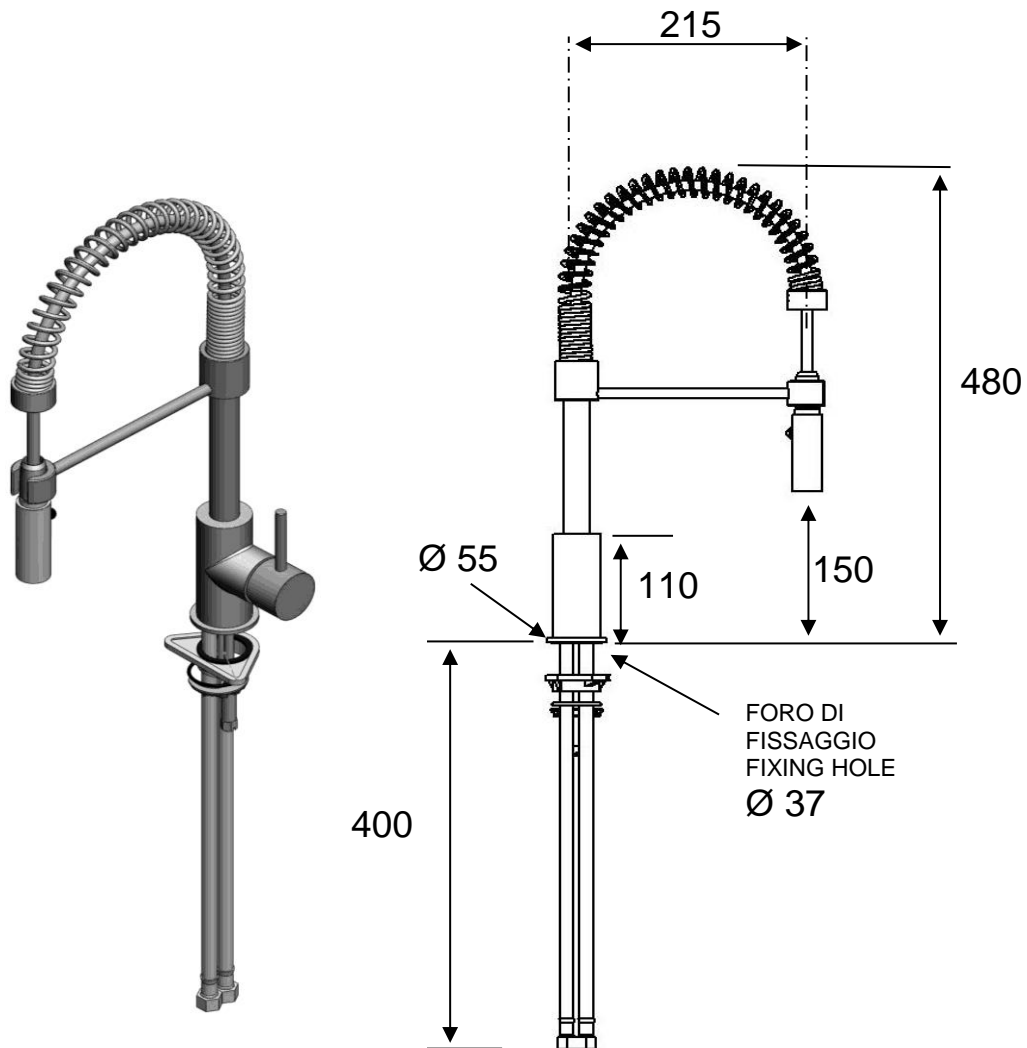


# SCHEMA TECNICA TECHNICAL FEATURES

Art. K5540



## MATERIALI / MATERIALS

OTTONE CROMATO / CHROME PLATED BRASS

## CROMATURA / CHROME PLATING

UNI EN 248