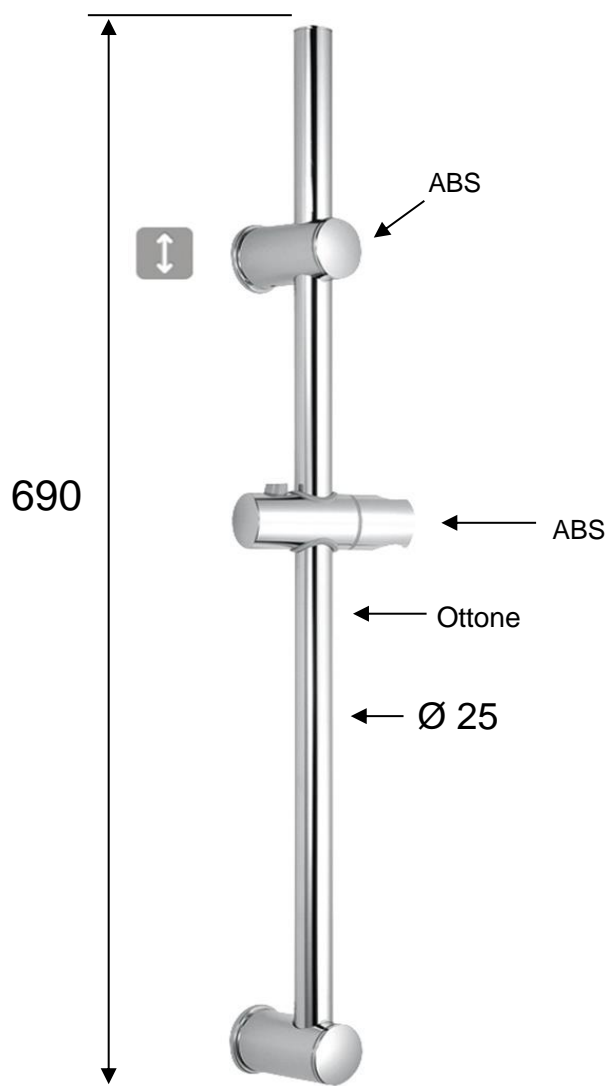


# SCHEDA TECNICA TECHNICAL FEATURES

Art. AST690



## **MATERIALI / MATERIALS**

OTTONE CROMATO / CHROME PLATED BRASS

ABS CROMATO / CHROME PLATED ABS

## **CROMATURA / CHROME PLATING**

UNI EN 248