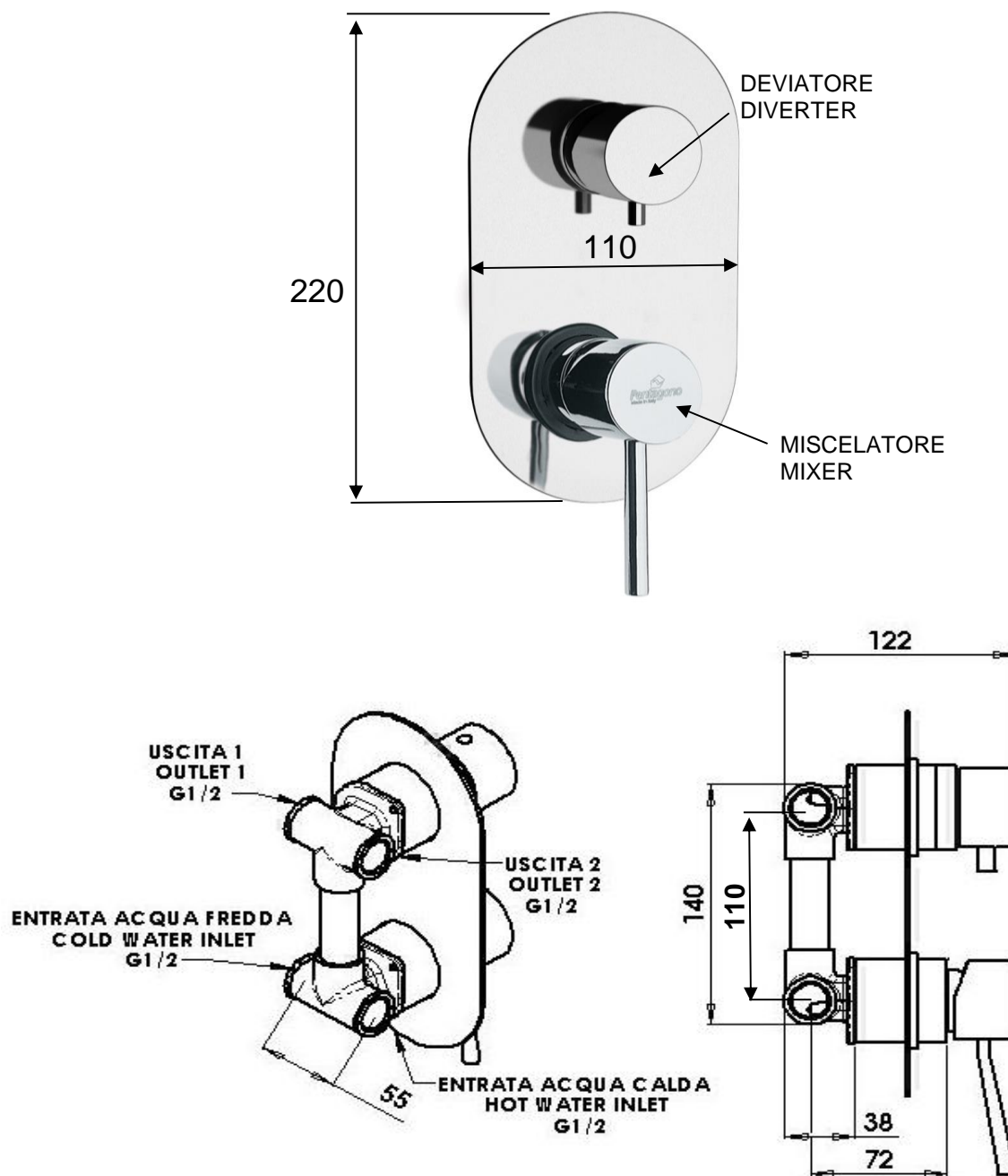


SCHEMA TECNICA TECHNICAL FEATURES

Art. 106S1201



MATERIALI / MATERIALS

OTTONE CROMATO - OTTONE / BRASS - CHROME PLATED BRASS

CROMATURA / CHROME PLATING

UNI EN 248