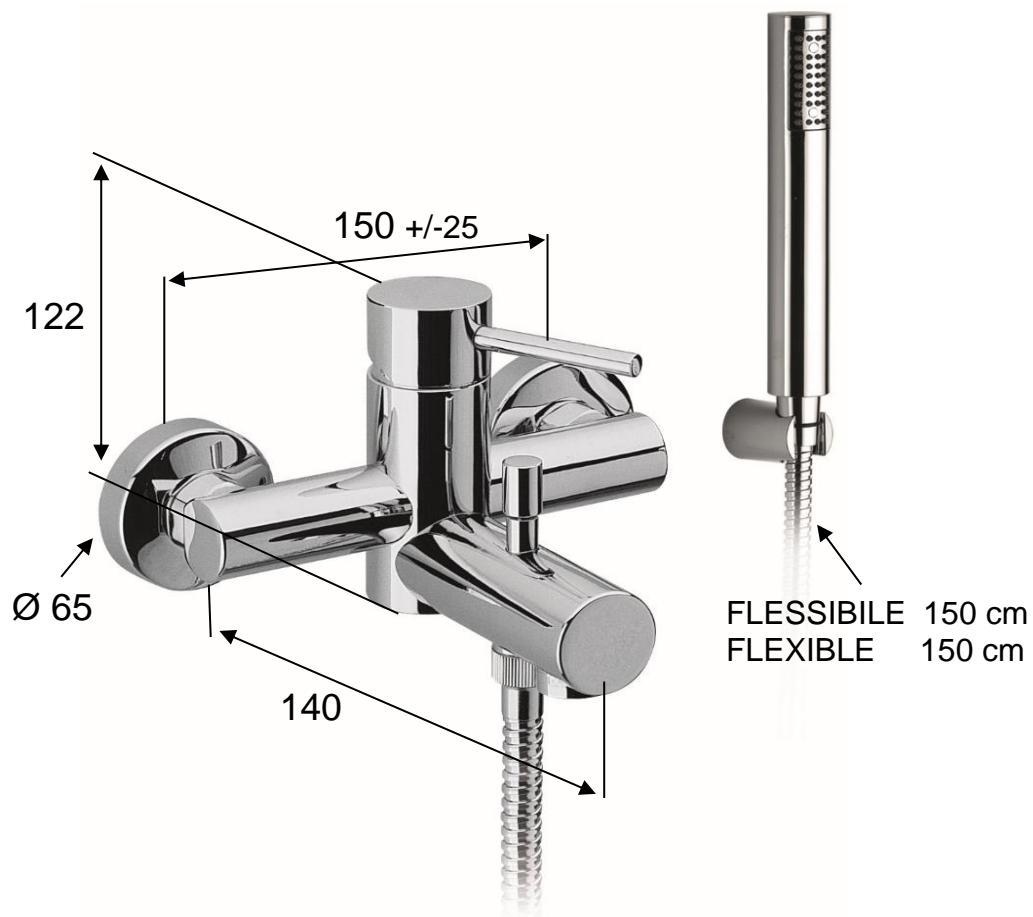


# SCHEDA TECNICA TECHNICAL FEATURES

Art. 106S2000



## MATERIALI / MATERIALS

OTTONE CROMATO / CHROME PLATED BRASS

## CROMATURA / CHROME PLATING

UNI EN 248