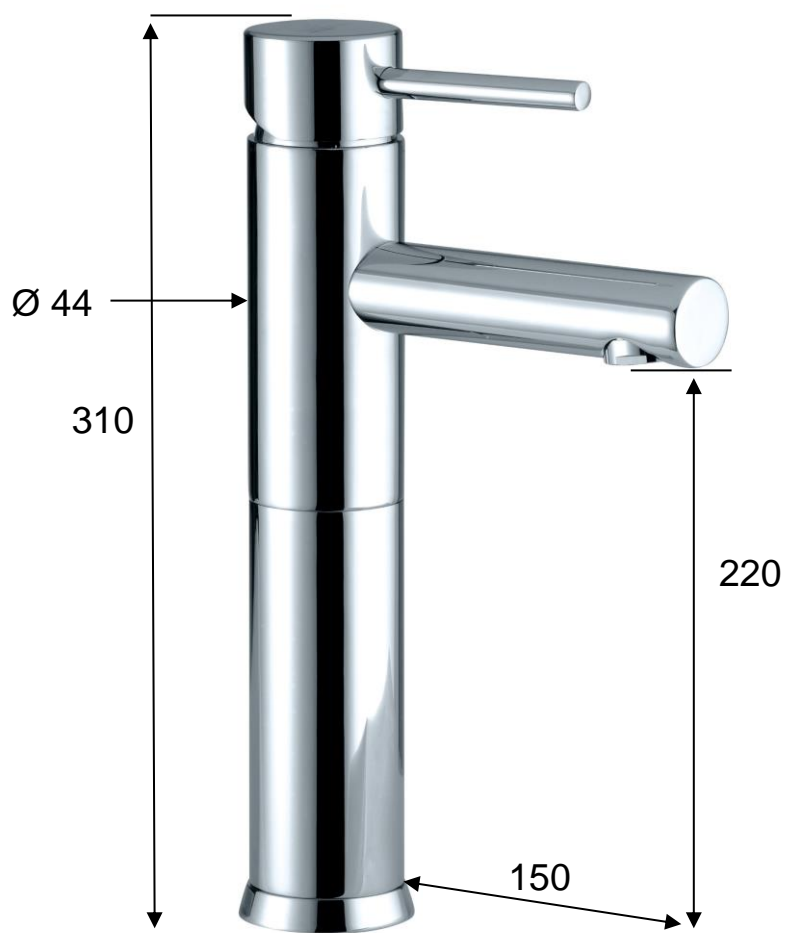


# SCHEDA TECNICA TECHNICAL FEATURES

Art. 106S3301



## **MATERIAL / MATERIALS**

OTTONE CROMATO / CHROME PLATED BRASS

## **CROMATURA / CHROME PLATING**

UNI EN 248