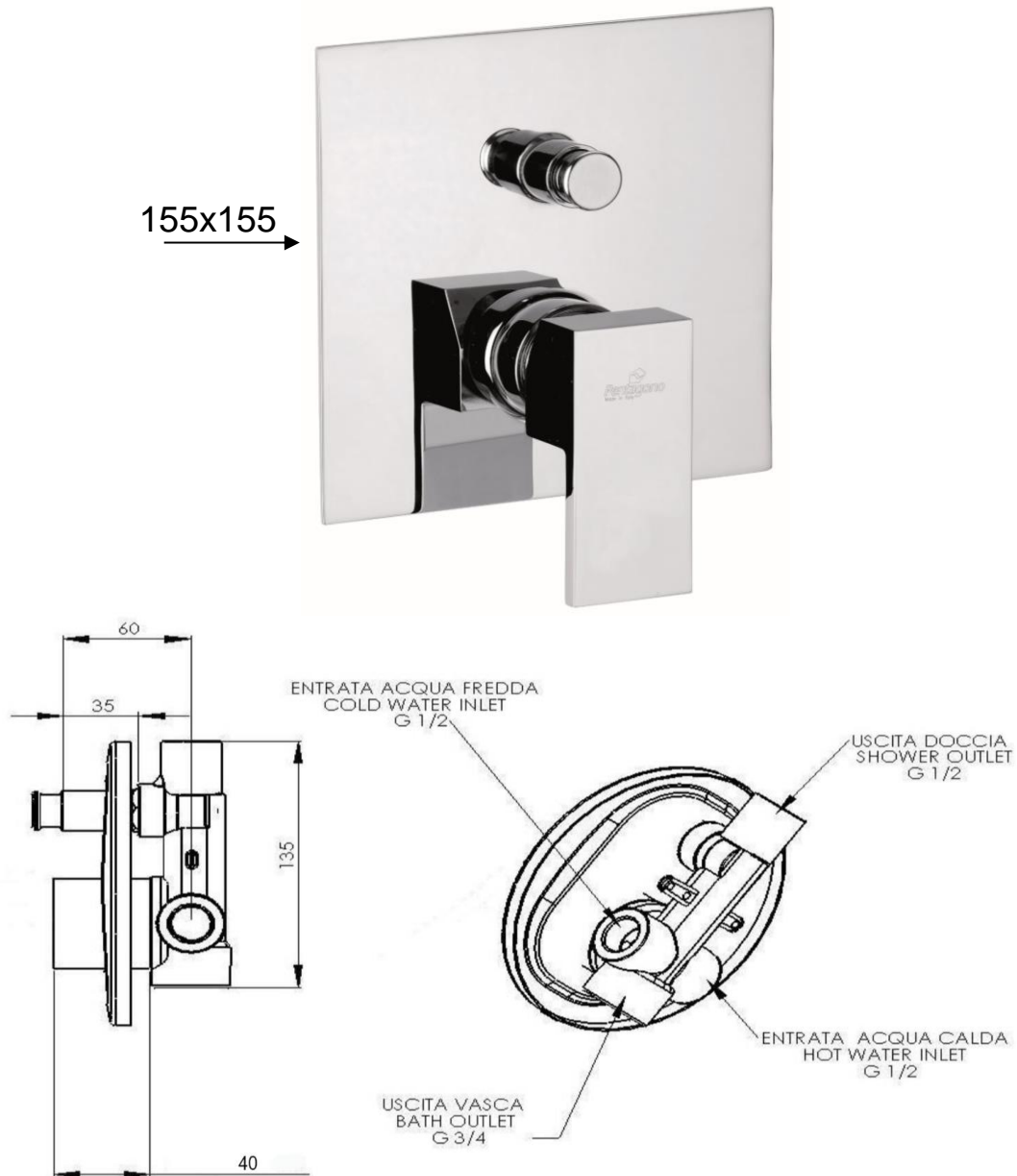


# SCHEDA TECNICA TECHNICAL FEATURES

Art. 112LE1001



## MATERIALI MATERIALS

OTTONE CROMATO CHROME PLATED BRASS

## CROMATURA / CHROME PLATING

UNI EN 248