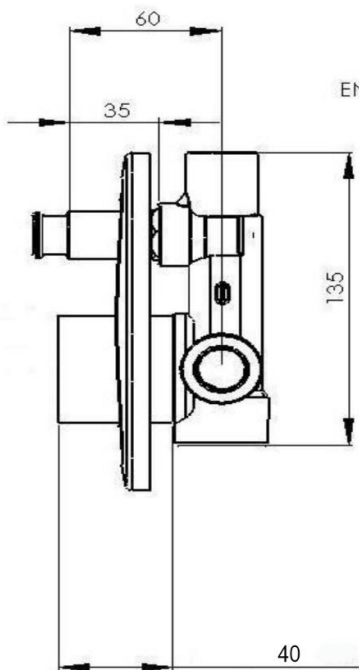
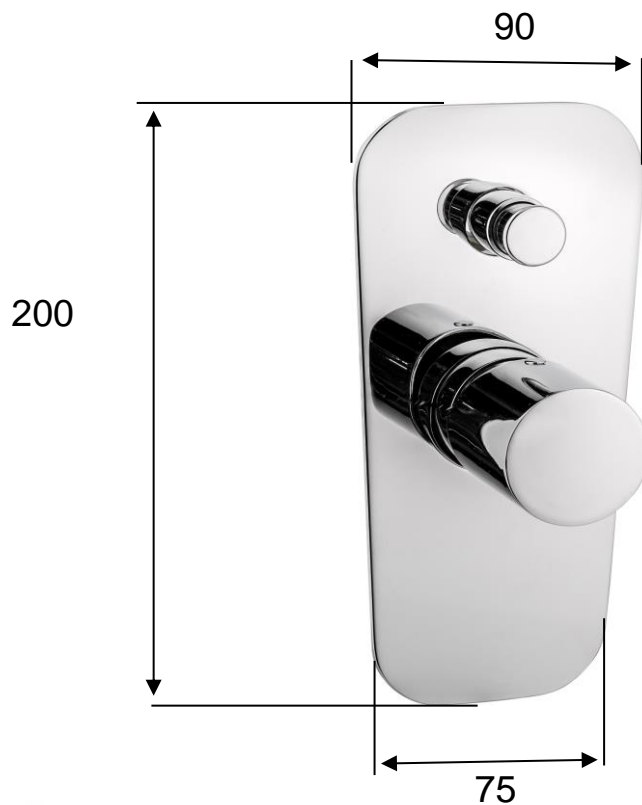


# SCHEMA TECNICA TECHNICAL FEATURES

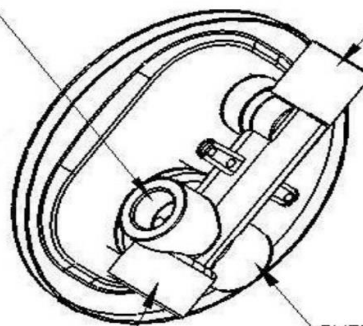
Art. 116PE1001



ENTRATA ACQUA FREDDA  
COLD WATER INLET  
G 1/2

Cartuccia mm 35  
Cartridge mm 35

USCITA DOCCIA  
SHOWER OUTLET  
G 1/2



ENTRATA ACQUA CALDA  
HOT WATER INLET  
G 1/2

USCITA VASCA  
BATH OUTLET  
G 3/4

## MATERIALI MATERIALS

OTTONE CROMATO CHROME PLATED BRASS

## CROMATURA / CHROME PLATING

UNI EN 248