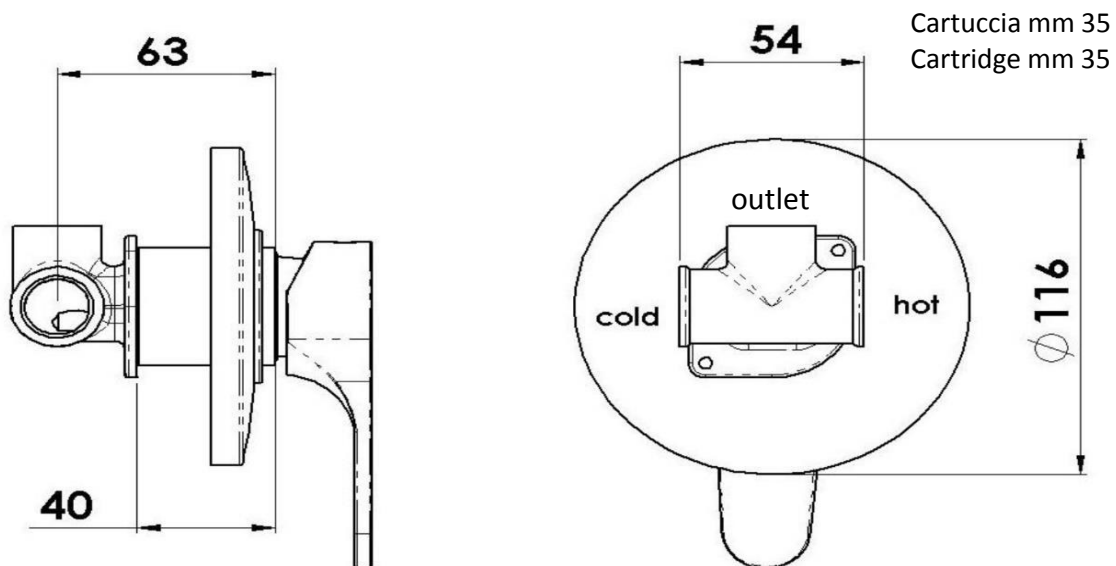


# SCHEMA TECNICA TECHNICAL FEATURES

Art. 118ME1000



## MATERIALI MATERIALS

OTTONE CROMATO CHROME PLATED BRASS

## CROMATURA / CHROME PLATING

UNI EN 248