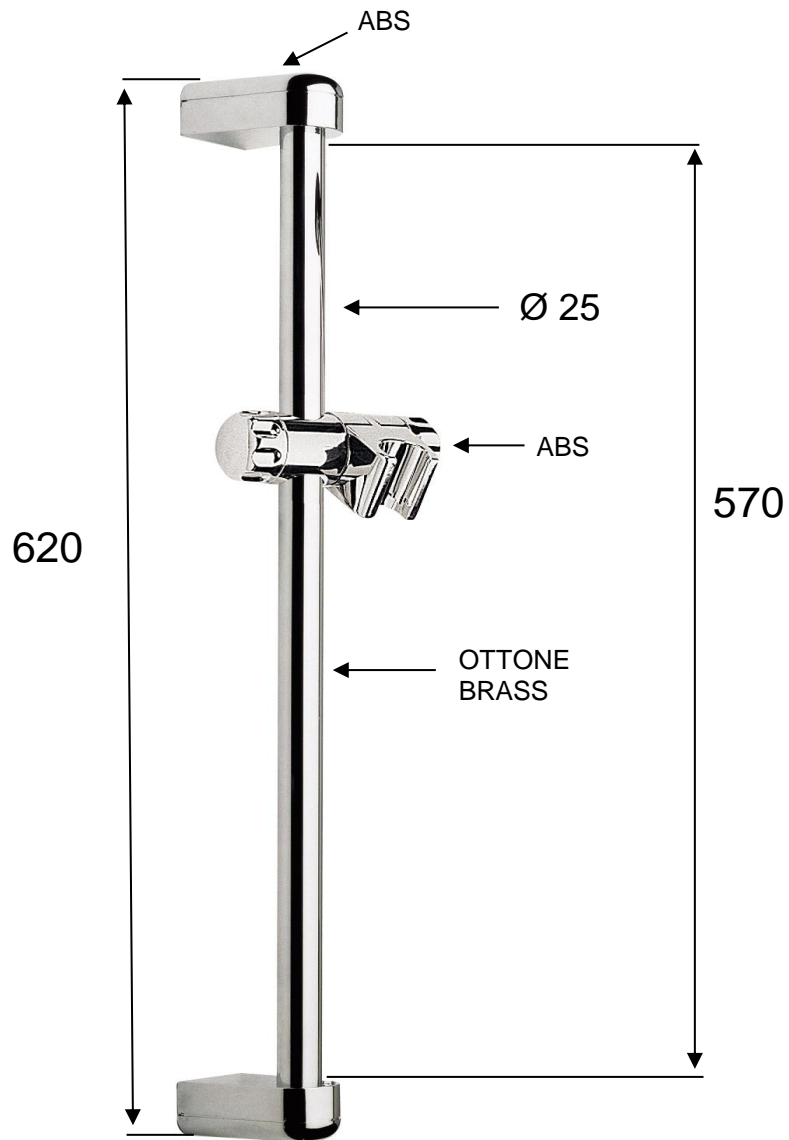


# SCHEDA TECNICA TECHNICAL FEATURES

Art. AST100



## MATERIALI / MATERIALS

OTTONE CROMATO / CHROME PLATED BRASS

ABS CROMATO / CHROME PLATED ABS

## CROMATURA / CHROME PLATING

UNI EN 248