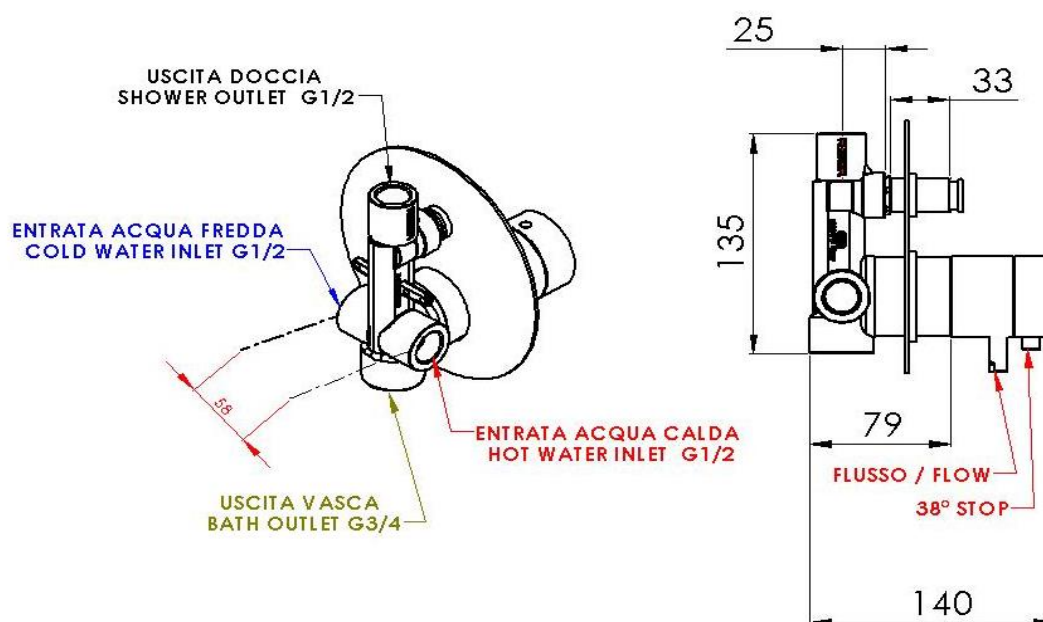
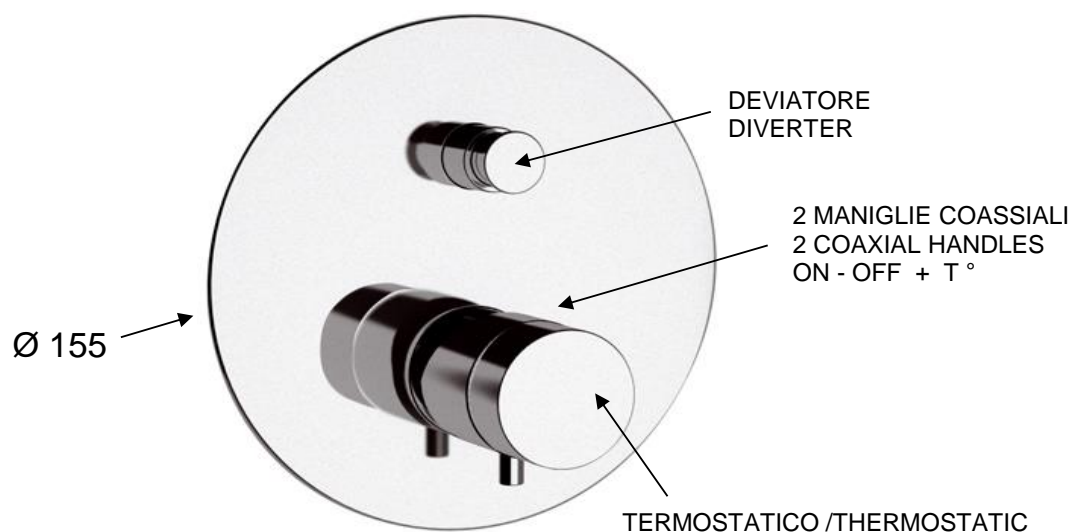


SCHEDA TECNICA TECHNICAL FEATURES

Art. TE1001C



MATERIALI / MATERIALS

OTTONE CROMATO - OTTONE / BRASS - CHROME PLATED BRASS

CROMATURA / CHROME PLATING

UNI EN 248