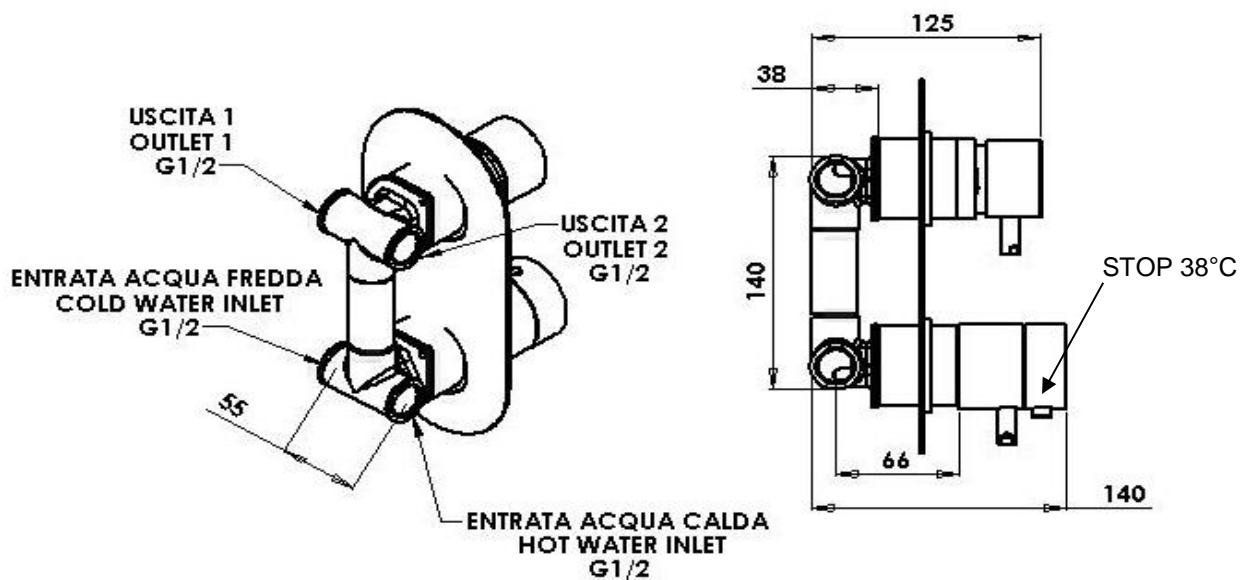
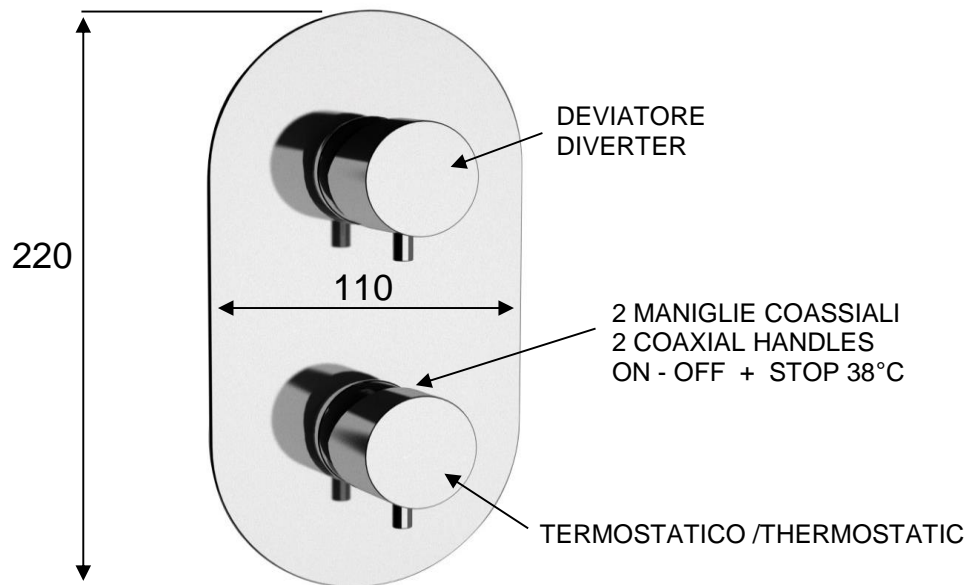


# SCHEDA TECNICA TECHNICAL FEATURES

Art. TE1201



## MATERIALI / MATERIALS

OTTONE CROMATO - OTTONE / BRASS - CHROME PLATED BRASS

## CROMATURA / CHROME PLATING

UNI EN 248