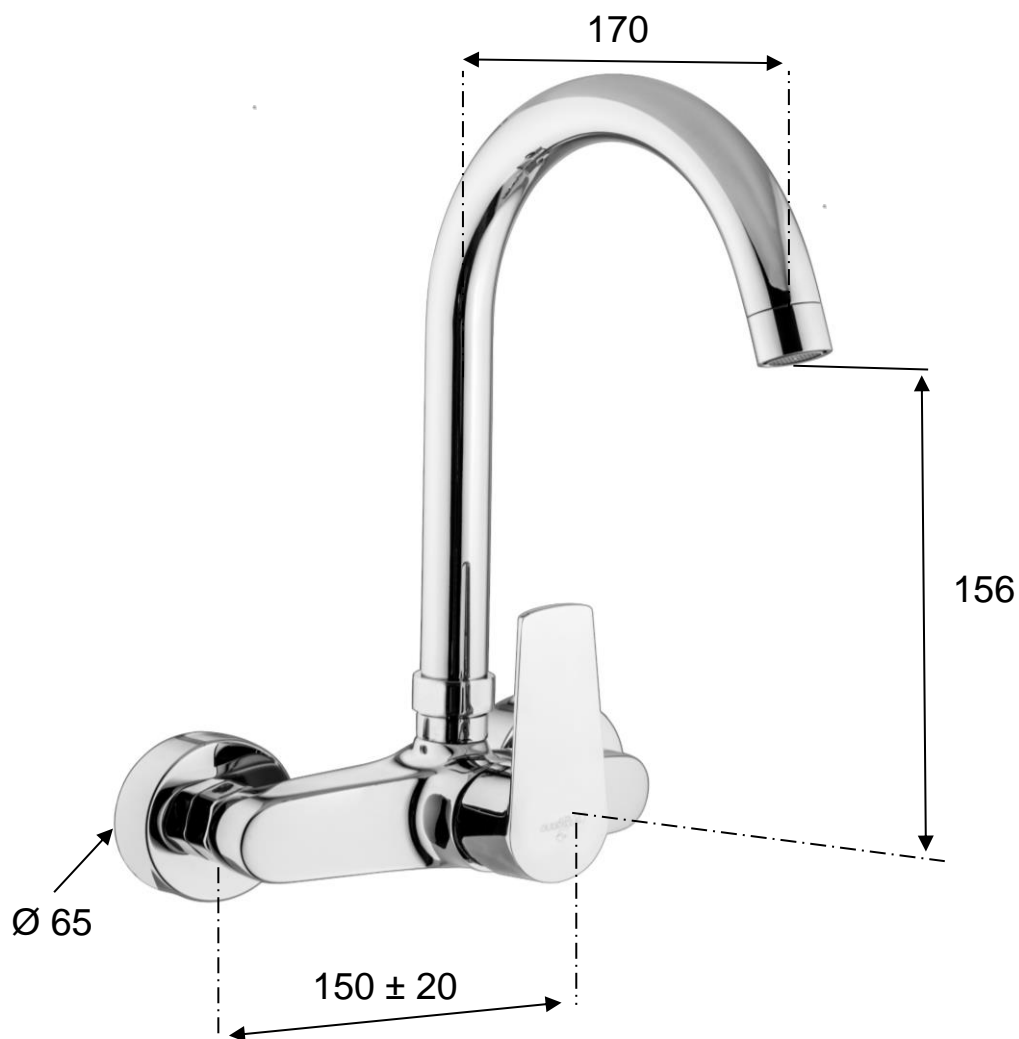


SCHEMA TECNICA TECHNICAL FEATURES

Art. 118ME5029CH1C



MATERIALI / MATERIALS

OTTONE CROMATO / CHROME PLATED BRASS

CROMATURA / CHROME PLATING

UNI EN 248