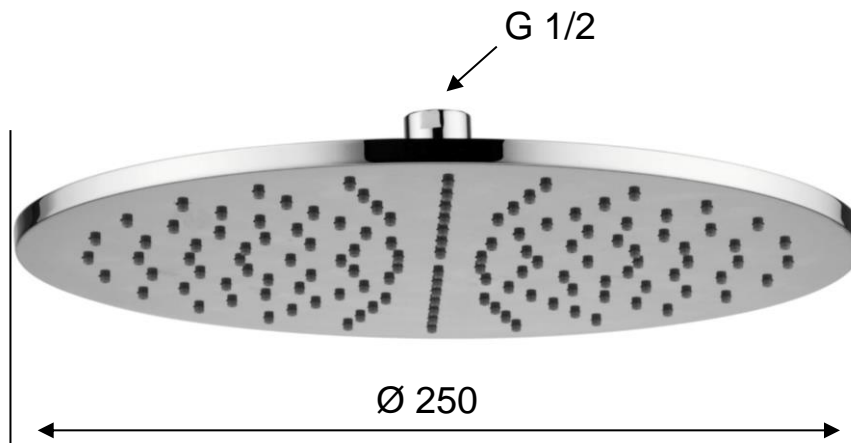


# SCHEDA TECNICA TECHNICAL FEATURES

Art. 2631/250



**CON RIDUTTORE DI PORTATA / WITH FLOW REDUCER**

**P MAX 3 bar**

PRESSIONE / PRESSURE	<b>1</b>	<b>2</b>	<b>3</b>	bar
PORTATA / FLOW	<b>9</b>	<b>9,5</b>	<b>10</b>	l/min

**MATERIALI / MATERIALS**

ABS CROMATO / CHROME PLATED ABS

**CHROME PLATING**

UNI EN 248