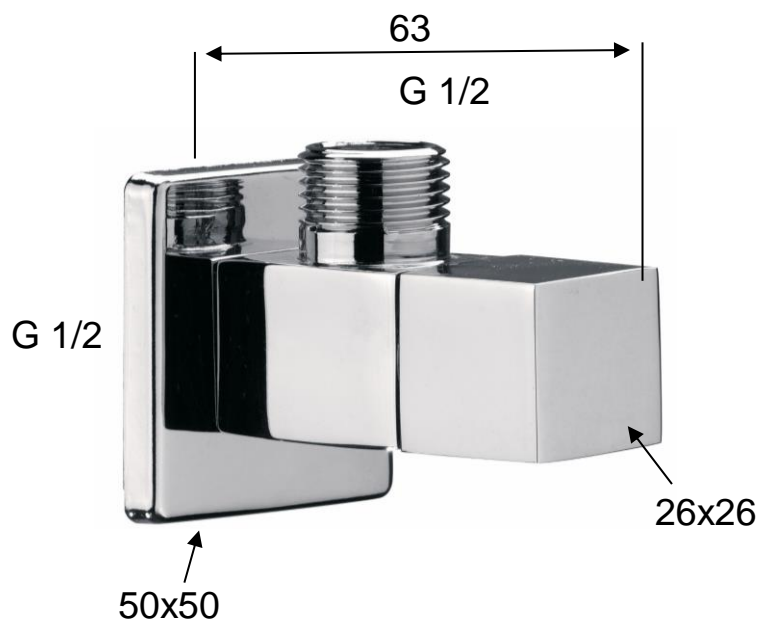


SCHEMA TECNICA TECHNICAL FEATURES

Art. 3212TC



MATERIALI / MATERIALS

OTTONE CROMATO / CHROME PLATED BRASS CW617N UNI EN 12165

CROMATURA / CHROME PLATING

UNI EN 248