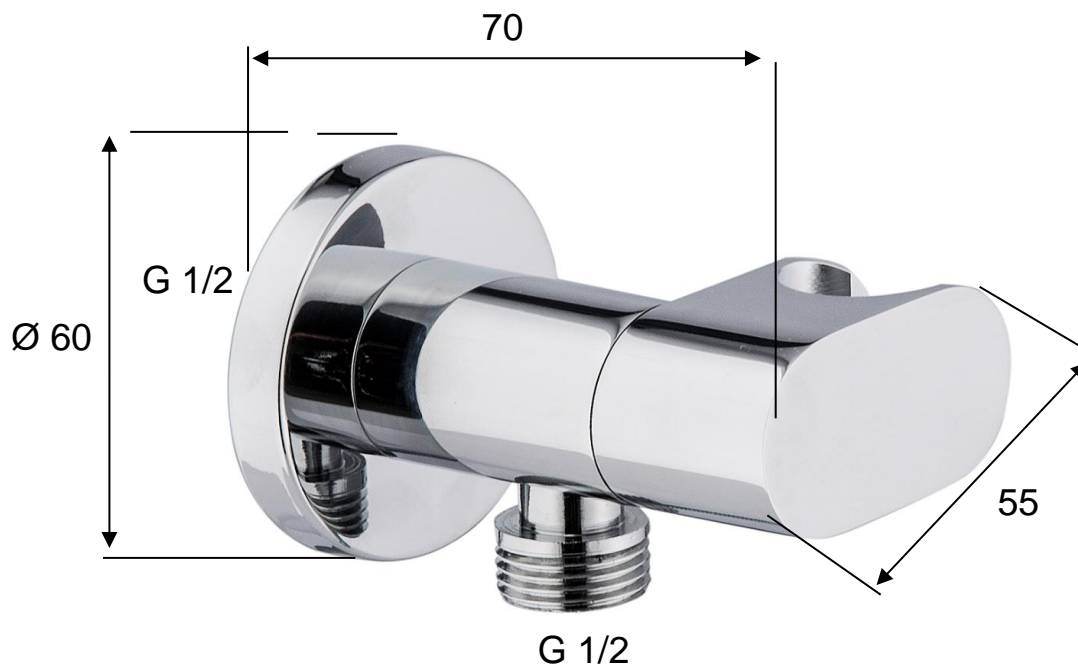


SCHEMA TECNICA TECHNICAL FEATURES

Art. 3500



P. MAX = 15bar

Minimum and maximum working temperatures: -20°C, 80°C

MATERIALI / MATERIALS

OTTONE CROMATO / CHROME PLATED BRASS CW617N UNI EN 12165

CROMATURA / CHROME PLATING

UNI EN 248