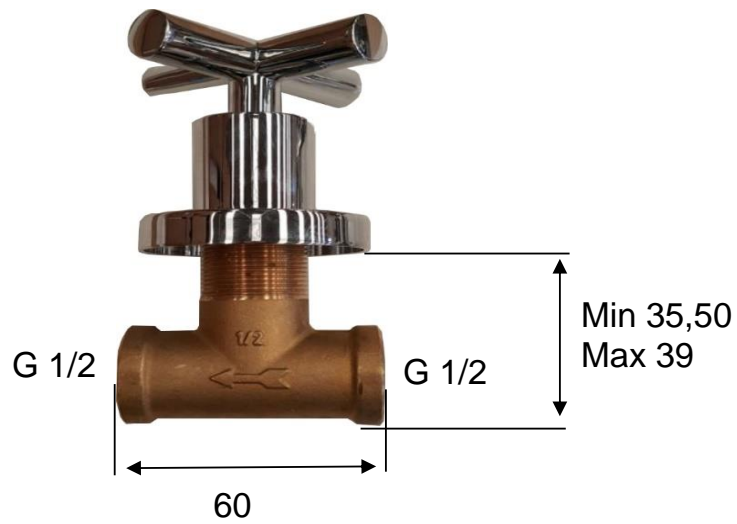


SCHEDA TECNICA / TECHNICAL FEATURES

Art. 240X3008



MATERIALI / MATERIALS

OTTONE CROMATO / CHROME PLATED BRASS

CROMATURA / CHROME PLATING

UNI EN 248