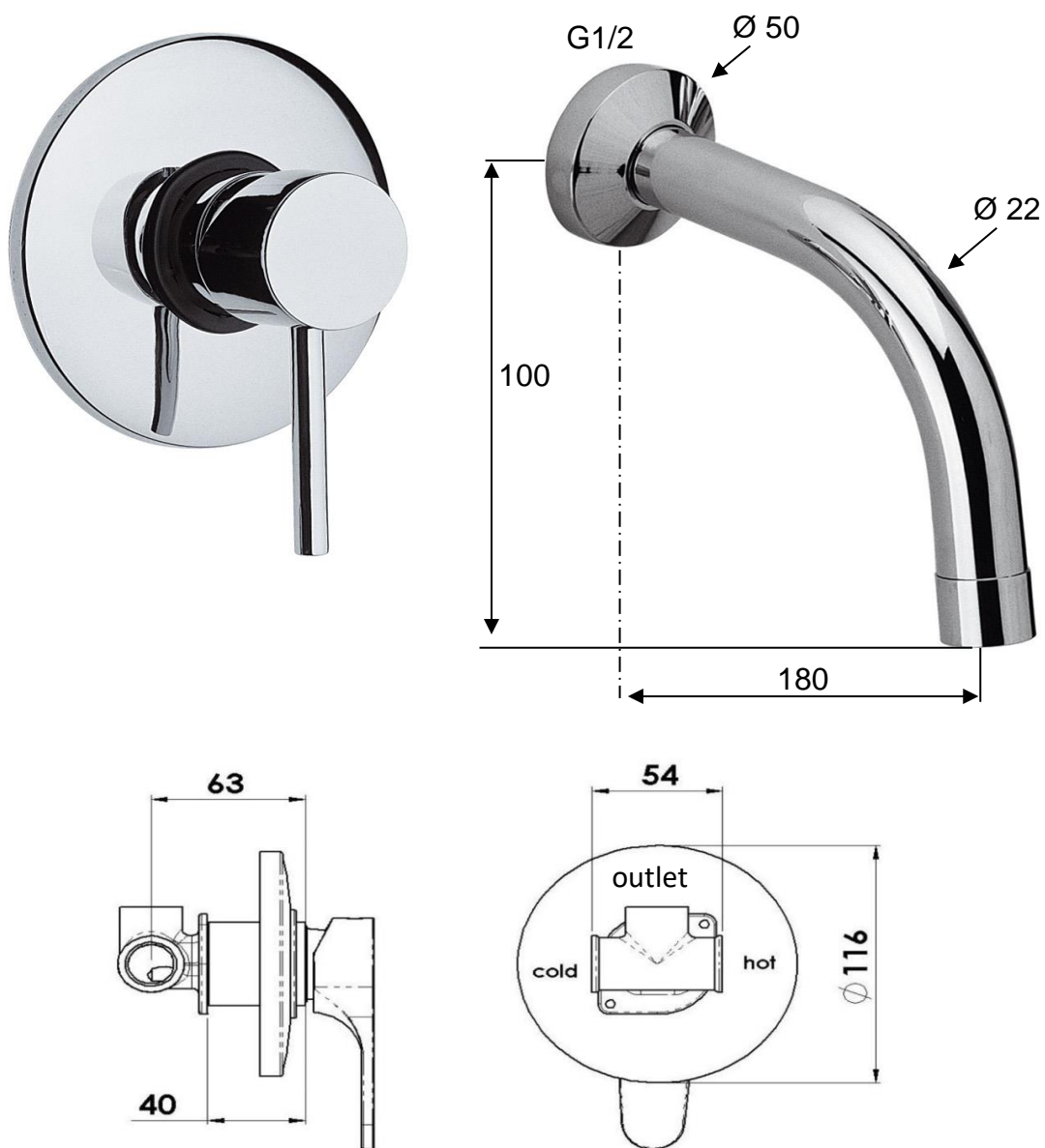


SCHEDA TECNICA TECHNICAL FEATURES

ART. 106S3008CH1C



MATERIALI MATERIALS

OTTONE CROMATO CHROME PLATED BRASS

CROMATURA / CHROME PLATING

UNI EN 248